

The Economical Choice of Balance for Routine Weighing Applications

The OHAUS Pioneer Series analytical and precision balances are designed for reliable routine weighing at an affordable price. Equipped to handle a variety of laboratory, industrial and education applications, the Pioneer balances are available in both external and internal calibration models. With a backlit LCD, new application modes and built-in environmental settings—these compact yet durable balances fit right in any work setting.

Standard Features Include:

- **Easy-to-Clean Draftshield Protects Samples from Contamination**
The draftshield features removable glass panels and three sliding doors which help to avoid sample contamination. These can be easily removed for cleaning the balance.
- **Backlit LCD Makes Viewing of Results Easier—Even in Low Light Conditions**
The Pioneer is equipped with a bright backlit LCD which enables clear viewing of results regardless of the lighting conditions-making it ideal for use in any work setting.
- **Selectable Environmental Settings Minimize External Influences & Ensure Accuracy**
Three filter modes and adjustable zero tracking help to adjust the balance's sensitivity to environmental disturbances, vibrations and slow filling applications, ensuring the accuracy of measurements.

Pioneer[®] Analytical and Precision Balances

Removable Doors Provide Convenient Access and Cleaning

To address the need for easy cleaning often expressed by routine users, the draftshield has been designed with easy-to-remove doors and panels. It takes only seconds to disassemble, and all of the balance's components including the housing can be quickly wiped clean. Periodic cleaning made easy helps to avoid sample contamination, and extends the product life.



Bright, Backlit Display Shows Results Clearly

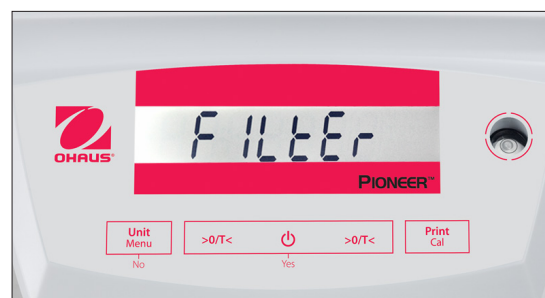
The Pioneer balances are equipped with a bright backlit LCD which makes viewing of results very easy, even in laboratories with dim lighting—thereby, increasing the efficiency of workflow.

Selectable Environmental Settings for Working in Practically Any Condition

Pioneer is designed with selectable environmental settings, which help to adapt the balance to real life working conditions.

When working in harsh environments, the balance can be adjusted to compensate for vibrations and other disturbances. Conversely, the balance can also be adjusted when working in slow filling applications where sensitivity is an important factor.

A replaceable standard in-use cover is also available which provides additional protection against accidental spillage, dust and debris—and helps to minimize the chance of damage to the display and keypad.



Application Modes

- **Weighing**—Determines the weight of items on the pan in the selected unit of measure.
- **Parts Counting**—Counts the number of pieces on the pan using a uniform weight.
- **Percent Weighing**—Measures the weight of a sample displayed as a percentage of a pre-established reference weight.
- **Density Determination**—Determines density of solids or liquid. With the integrated weigh below hook, it is possible to perform specific gravity tests for objects that cannot be easily placed on the weighing pan.
- **Dynamic Weighing**—Weighs an unstable sample load. The balance takes an average of weights over a period of time.

Standard Features

Integral Security Bracket



Allows you to secure the balance to a workstation - preventing unwarranted

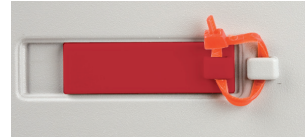
movement or even theft

RS232 Interface

RS232 allows connection to an OHAUS printer or computer. Sends Balance ID plus spaces for recording User ID and Project ID

Integral Menu Lock

Is a combination of software and a mechanical switch which allows you to lock menus, including the calibration menu



Multiple Application Modes and Units

Features Basic Weighing, Parts Counting, Percent Weighing, Dynamic Weighing and Density Determination modes. 15 international weighing units plus one custom unit are also available.

Weigh Below Hook

The built-in weigh below hook enables you to suspend an item below the balance for density/specific gravity measurements



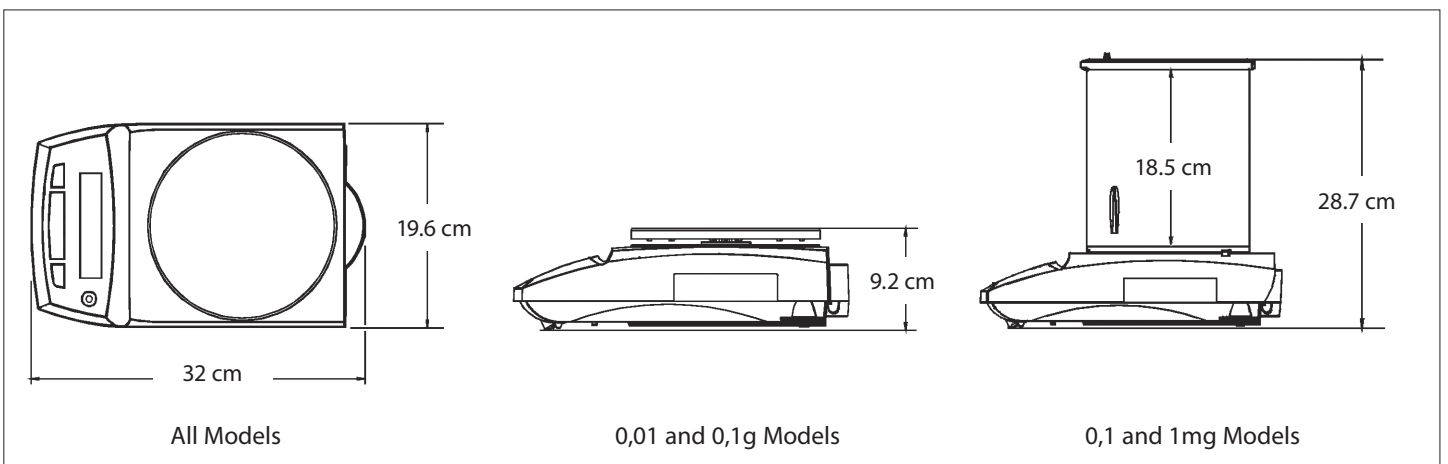
Up-Front Level Indicator

A quick glance at the up-front level indicator helps to ensure that the balance is level prior to each use

Backlit Display

Enables optimal viewing of results in various lighting conditions

Outline Dimensions



Pioneer[®] Analytical and Precision Balances

Model	PA124C	PA224C	PA223C	PA423C	PA2202C	PA4202C	PA4201C
External Calibration Model	PA124	PA224	PA223	PA423	PA2202	PA4202	PA4201
Approved Model	PA124CM/2	PA214CM/2	PA223CM/2	PA423CM/2	PA2202CM/2	PA4102CM/2	—
Capacity (g)	120	220 210 (M model)	220	420	2200	4200 4100 (M model)	4200
Readability d	0.1 mg		1 mg		10 mg		100 mg
Approved Readability	1 mg		10 mg		100 mg		—
Repeatability (Std Dev)	0.1 mg		1 mg		10 mg		100 mg
Linearity	0.2 mg	0.3 mg	2 mg		20 mg		100 mg
Application Modes	Weighing, Parts Counting, Percent Weighing, Animal/Dynamic Weighing, Density Determination						
Weighing Units	mg, g, ct, oz, dwt, tical, tola, mommes, baht, grain, mesghal, Newton, ozt, custom unit				g, kg, lb, ct, oz, dwt, tical, tola, mommes, baht, grain, mesghal, Newton, ozt, custom unit		
Approved Model Units	mg, g, ct, custom unit		g, kg, ct, custom unit		mg, g, ct, custom unit		g, kg, ct, custom unit
Platform Size	Ø 90 mm		Ø 120 mm		Ø 180 mm		
Cal Weight-Span	50 g, 100 g	100 g, 200 g	100 g, 200 g	200 g, 400 g	1 kg, 2 kg	2 kg, 4 kg	2 kg, 4 kg
Cal Weight-Linearity	50 g/100 g	100 g/200 g	100 g/200 g	200 g/400 g	1 kg/2 kg	2 kg/4 kg	2 kg/4 kg
Taring Time	1 second						
Stabilization Time	3 seconds		2 seconds				1 second
Min-Weight (typical) (USP, u=0.10%, k=2)	0.2 g		2 g		20 g		200 g
Draftshield	18.5 cm inside height				N/A		
Operating Conditions	10° C to 30° C at 10% to 80% relative humidity, non-condensing, up to 2000 m above sea level						
Storage Temperature	-40° C to 55° C at 10% to 80% relative humidity, non-condensing						
Net Weight	4.6 kg (except for External Calibration Model: 4 kg)				4.5 kg (except for External Calibration Model: 3.4 kg)		
Shipping Weight	7.5 kg (except for External Calibration Model: 6.9 kg)				6.3 kg (except for External Calibration Model: 5.4 kg)		
Balance Dimensions (W × H × D)	19.6 × 28.7 × 32 cm				19.6 × 9.2 × 32 cm		
Carton Dimensions (W × H × L)	39.5 × 52.2 × 49.5 cm				39.5 × 32.7 × 49.5 cm		

Other Standard Features and Equipment

Metal base, ABS housing, stainless steel pan, weigh below hook, security bracket, in-use cover, menu and calibration locks, up-front level indicator, multiple application modes and units, software reset menu, stability indicator, auto tare, RS232 interface, mechanical and software overload/underload protection, user-selectable communication and printing settings, user-selectable span calibration points

Compliance

- **Product Safety:** cCSAus (CAN/CSA-C22.2 No. 61010-1-04, UL Std. No. 61010-1 2nd Edition); CE (EN 61010-1:2010)
- **Electromagnetic Compatibility:** FCC (Part 15 Class A); Industry Canada (ICES-003 Class A); CE (EN 61326-1:2013 Class B emissions, basic immunity); RCM (IEC 61326-1 Ed 2.0 Class B)

Accessories

Ionizer ION-100A	30095929
SF40A Impact Printer	30064202
SF40A Paper Roll 57.5mm (2 Rolls)	12120799
SF40A Ink Ribbon Cassette	12120798
RS232 Cable, PC 9 Pin	80500525
Cable, USB-RS232 Converter	30268619
Auxiliary Display Kit	80251396
Security Device	80850000
Density Determination Kit	80253384
In-use Cover	83020221

OHAUS Europe GmbH
Im Langacher 44
8606 Greifensee
Switzerland

e-mail: ssc@ohaus.com
Tel: 0041 22 567 53 19
e-mail: tsc@ohaus.com
Tel: 0041 22 567 53 20

www.ohaus.com

OHAUS Corporation is an ISO
9001:2008 manufacturer

ISO 9001:2008
Registered Quality
Management System

CH16C107

